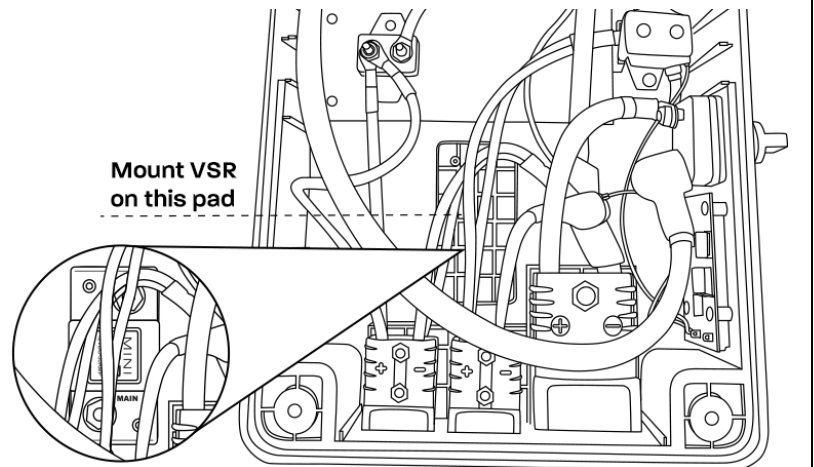
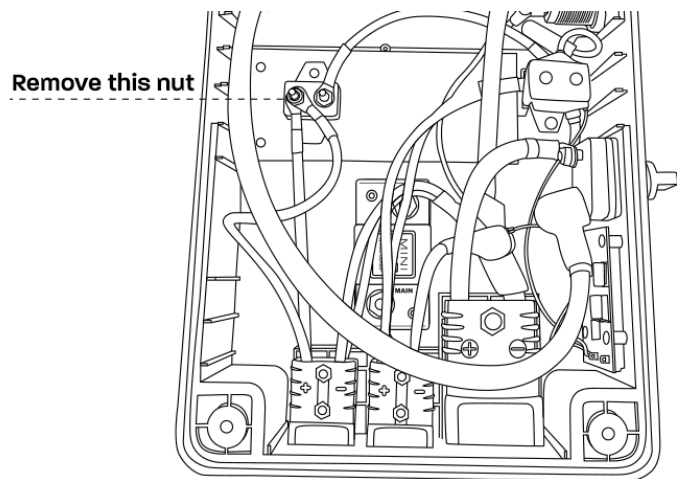


**STEP 1**

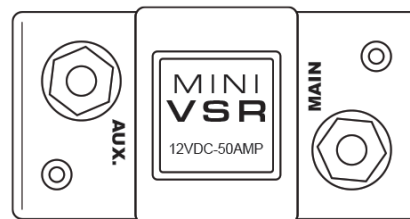
Place the VSR unit onto the moulded pad as indicated in figure 1. Align the screw holes on the VSR unit with the corresponding holes on the pad and fix the VSR in place using the two screws provided. Unscrew the two nuts on the VSR studs and set aside.

*Figure 1***STEP 2**

Remove the red plastic cover from the 50A circuit breaker and unscrew the nut, as indicated in figure 2. Detach the top cable from this stud, slip one of the red terminal covers over the end of the cable and connect it to the stud marked "MAIN" on the VSR unit (figure 3).

*Figure 2***STEP 3**

Pick up the red cable which was included with the VSR. Slip the other terminal cap over one end of this cable, and connect this end to the stud on the VSR marked "AUX". Connect the other end back to the same stud on the circuit breaker as the cable you removed in step 1.

*Figure 3***STEP 4**

Screw the nuts back onto the studs on the VSR unit and circuit breaker, and put the red terminal cover back over the top.

**STEP 5**

Attach the ring terminal on the end of the black cable coming from the VSR to the negative terminal of the battery.